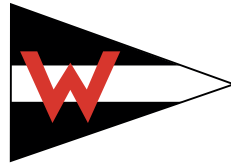




CASPIAN
SERVICES
GROUP

A SUBSIDIARY OF CASPIAN SERVICES INC.

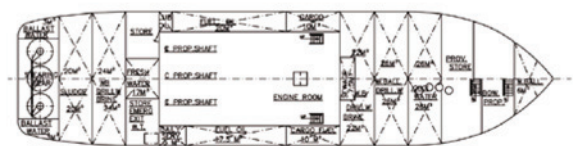
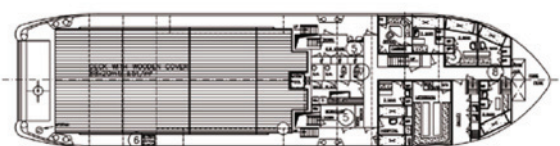
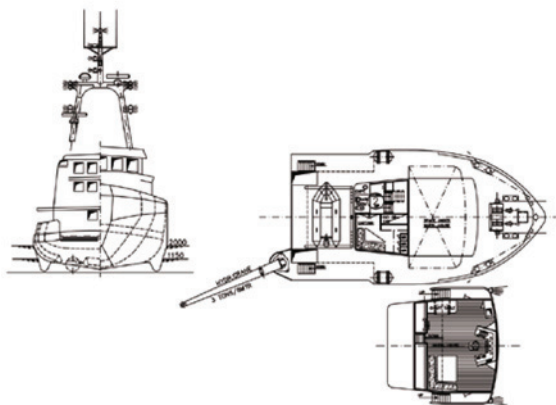
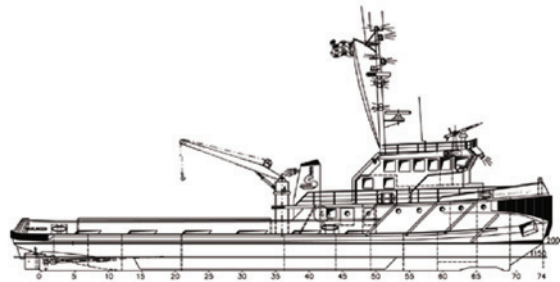
REDERIJ WATERWEG B.V.



SARA MAATJE ELF



General Arrangement Plan



Tug / Supply Vessel

General Specifications

Principle Parameters

Year of Construction	1987
Classification Society	Bureau Veritas
Classification	Hull.Mach Special Service/Supply Vessel, Ice III
IMO Number	8612691
Flag	Republic of Kazakhstan
L.O.A.	39.97 meters
Beam	10.0 meters
Depth	2.70 meters
Draft	1.40 meters light ship 1.80 meters loaded 1.60 meters working
Gross Tonnage	333 tons
Net Tonnage	100 tons

Performance & Endurance

Max Speed	11.0 knots
Fuel usage	7.68 tons/day (max speed) 6.48 tons/day (cruising speed)

Tank Capacities

Fuel Oil	57.50 cubic meters
Fresh Water	69.00 cubic meters
Sewage	52.50 cubic meters
Ballast Water	156.00 cubic meters
L.O.	2.50 cubic meters

Towing

Bollard Pull	18.00 tons
Stern Roller	
Double Drum	
Tow Pin	

Accommodation & Messing

Accommodation	12 persons (including 4 crew)
---------------	-------------------------------

Machinery

Main Engines	3 x Daewoo V180TI, 3 X 442 kW
Generators	2 x GM DDDA8V-71T, Stamford, 2 x 275kVA, 380/220V, 50Hz 1 x GM DDa3-71n, 65Kva, 380/220v, 50Hz
Bow Thruster	1 x Isuzu 158 kW (FWD)

Deck

Main Deck	20.30 meters x 7.65 meters, 155.3 square meters
Deck Crane	Ankara Industries / Abas 27 t/m

Navigation & Communication

GMSDSS A3
DGPS
2 x Daylight Radar
Echo Sounder
Auto Pilot
Gyro Compass
Marine VHF

Lifesaving Equipment

Rescue Boat	1
Life rafts	2 x 12 person
Immersion Suits	
1 x FiFi and Sprinkler Installation, 600 cubic meters/hour, 10 bar	

Other Particulars

TODO Supply/Discharge Line Fittings

Details are believed to be correct at time of printing.
Owners reserve the right to amend the specifications without prior notification.
(Rev SME-03, Nov 2009)

Office 523, 5th Floor,
Aktau Star Business Center, Microdistrict 14
Aktau 130000
Republic of Kazakhstan
Tel: +7 (8) 729 247 00 10 (11,12,13)
Fax: +7 (8) 729 247 00 14
Email: enquiries@caspianservices.kz



CASPIAN
SERVICES
GROUP

A SUBSIDIARY OF CASPIAN SERVICES INC.

9th Floor, 29/6 Satpaev Ave
Rakhat Palace Hotel
Almaty 050040
Republic of Kazakhstan
Tel: +7 727 250 84 77 (78,80)
Fax: +7 727 250 84 79
Email: enquiries@caspianservices.kz